

Motor Drive Isolation Transformers

Dongan® Motor Drive Isolation Transformers are specifically designed to meet the requirements of SCR controlled variable speed motor drives. They are ruggedly constructed to withstand the high mechanical forces associated with SCR drive duty cycles. The double-wound construction isolates the line from most SCR generated voltage spikes and transient feedback. These transformers also assist in reducing some types of line transients that can cause SCR misfiring.

Features



- **Three Phase 3 - 145 kVA.**
- **Electrostatic shield** between windings provides cleaner output voltage and helps to reduce spikes and transients.
- **Vibration dampening pads** provide quiet operation.
- **Wall Mounting brackets** are available for sizes 11 kVA through 75 kVA (see page 29).
- **Ground studs** provided for bonding compatibility with both metallic and nonmetallic conduit.
- **Core and coil and nonstandard designs** are available by consulting the factory or your Don-

gan® Representative.

- **3 - 7.5 kVA are copper wound and equipped with a UL 200°C insulation system and a 115°C temperature rise. Windings connect to compression style terminals, eliminating the need to purchase additional connectors.**
- **NEMA Type 3R**, ventilated, cabinet style, wall mount enclosure suitable for indoor or outdoor use. **No extra rainshields required for outdoor use.**
- **11 - 145 kVA are aluminum wound and equipped with a UL 220°C insulation system and a 150°C temperature rise. Windings connect to buss bar style terminations equipped with NEMA standard holes for user supplied compression style terminals.**



11 - 145 kVA

- **NEMA Type 3R**, ventilated, cabinet style, floor mount enclosure suitable for indoor or outdoor use. **No extra rainshields required for outdoor use.**

General Information									
Delta Pri.		230	230	460	460	575	575	Taps	Weight (lbs)
Wye Sec.		230Y/133	460Y/266	230Y/133	460Y/266	230Y/133	460Y/266		
kVA Cap.	Motor HP	Catalog Number	Catalog Number	Catalog Number	Catalog Number	Catalog Number	Catalog Number		
3	2	63-0103SH	63-0403SH	63-0503SH	63-0703SH	63-0803SH	63-0903SH	0	70
6	3	63-0106SH	63-0406SH	63-0506SH	63-0706SH	63-0806SH	63-0906SH	0	136
7.5	5	63-0107SH	63-0407SH	63-0507SH	63-0707SH	63-0807SH	63-0907SH	0	185
11	7.5	63-2111SH	63-2411SH	63-2511SH	63-2711SH	63-2811SH	63-2911SH	2	225
14	10	63-2114SH	63-2414SH	63-2514SH	63-2714SH	63-2814SH	63-2914SH	2	245
20	15	63-2120SH	63-2420SH	63-2520SH	63-2720SH	63-2820SH	63-2920SH	2	275
27	20	63-2127SH	63-2427SH	63-2527SH	63-2727SH	63-2827SH	63-2927SH	2	290
34	25	63-2134SH	63-2434SH	63-2534SH	63-2734SH	63-2834SH	63-2934SH	2	415
40	30	63-2140SH	63-2440SH	63-2540SH	63-2740SH	63-2840SH	63-2940SH	2	440
51	40	63-2151SH	63-2451SH	63-2551SH	63-2751SH	63-2851SH	63-2951SH	2	500
63	50	63-2163SH	63-2463SH	63-2563SH	63-2763SH	63-2863SH	63-2963SH	2	560
75	60	63-2175SH	63-2475SH	63-2575SH	63-2775SH	63-2875SH	63-2975SH	2	580
93	75	63-2193SH	63-2493SH	63-2593SH	63-2793SH	63-2893SH	63-2993SH	2	1000
118	100	63-21118SH	63-24118SH	63-25118SH	63-27118SH	63-28118SH	63-29118SH	2	1100
145	125	63-21145SH	63-24145SH	63-25145SH	63-27145SH	63-28145SH	63-29145SH	2	1200

Connection Diagrams may be found on Pg. 39

Tap Configurations:

- 0 = No Taps
- 2 = 1 - 5% FCAN, 1 - 5% FCBN
- 4 = 2 - 2½% FCAN, 2 - 2½% FCBN
- 6 = 2 - 2½% FCAN, 4 - 2½% FCBN

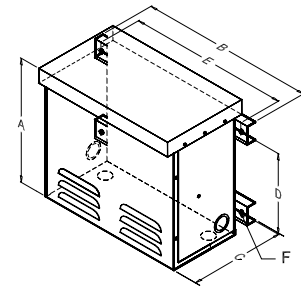
Dimensions & weights may change. Consult factory for certified drawings.

Motor Drive transformers are exempt from the US DOE TP1 requirements. However they do not meet Canadian C802.22 energy requirements. If this is required you must order a 43- catalog number.

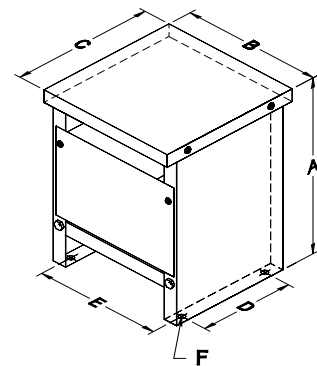
Motor Drive Isolation Transformers

Dimensions										
Physical					Mounting				Taps	Dwg. No.
kVA	Motor HP	Height A	Width B	Depth C	D	E	F	Mtg Type*		
3	2	11.50	15.50	7.75	6.31	14.00	0.437	WM	0	1
6	3	14.00	18.50	9.00	8.50	17.00	0.437	WM	0	1
7.5	5	17.50	17.00	10.00	11.50	15.50	0.562	WM	0	1
11	7.5	23.50	18.87	18.50	13.00	16.87	0.437	FM	2	2
14	10	23.50	18.87	18.50	13.00	16.87	0.437	FM	2	2
20	15	29.00	24.25	20.87	15.37	22.25	0.437	FM	2	2
27	20	29.00	24.25	20.87	15.37	22.25	0.437	FM	2	2
34	25	29.00	24.25	20.87	15.37	22.25	0.437	FM	2	2
40	30	29.00	24.25	20.87	15.37	22.25	0.437	FM	2	2
51	40	32.00	27.25	26.25	20.75	25.25	0.562	FM	2	2
63	50	32.00	27.25	26.25	20.75	25.25	0.562	FM	2	2
75	60	32.00	27.25	26.25	20.75	25.25	0.562	FM	2	2
93	75	41.00	34.25	26.75	21.25	32.25	0.562	FM	2	2
118	100	41.00	34.25	26.75	21.25	32.25	0.562	FM	2	2
145	125	41.00	34.25	26.75	21.25	32.25	0.562	FM	2	2

*WM = WALL MOUNT FM = FLOOR MOUNT



Drawing 1
3 - 7.5 kVA
Wall Mount - Ventilated - NEMA Type 3R



Drawing 2
11 - 145 kVA
Floor Mount - Ventilated - NEMA Type 3R

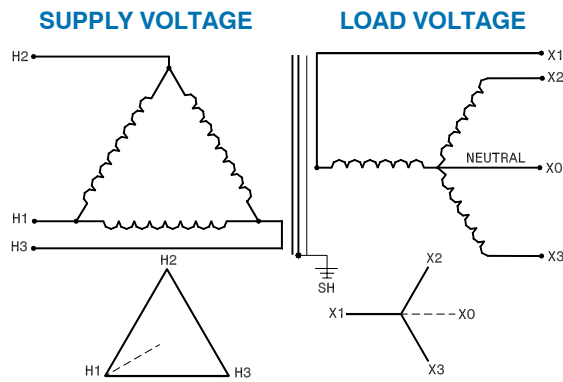


Diagram 1 (3 - 7.5 kVA)

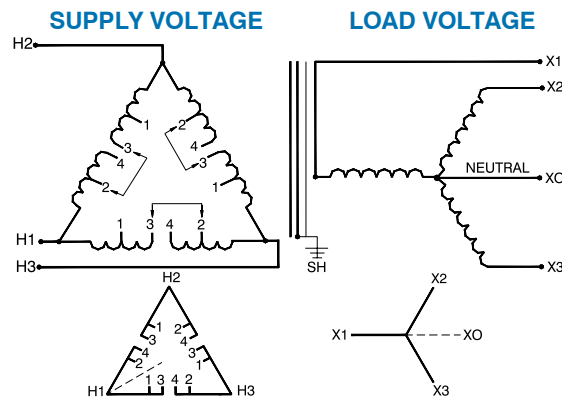


Diagram 2 (11 - 145 kVA)